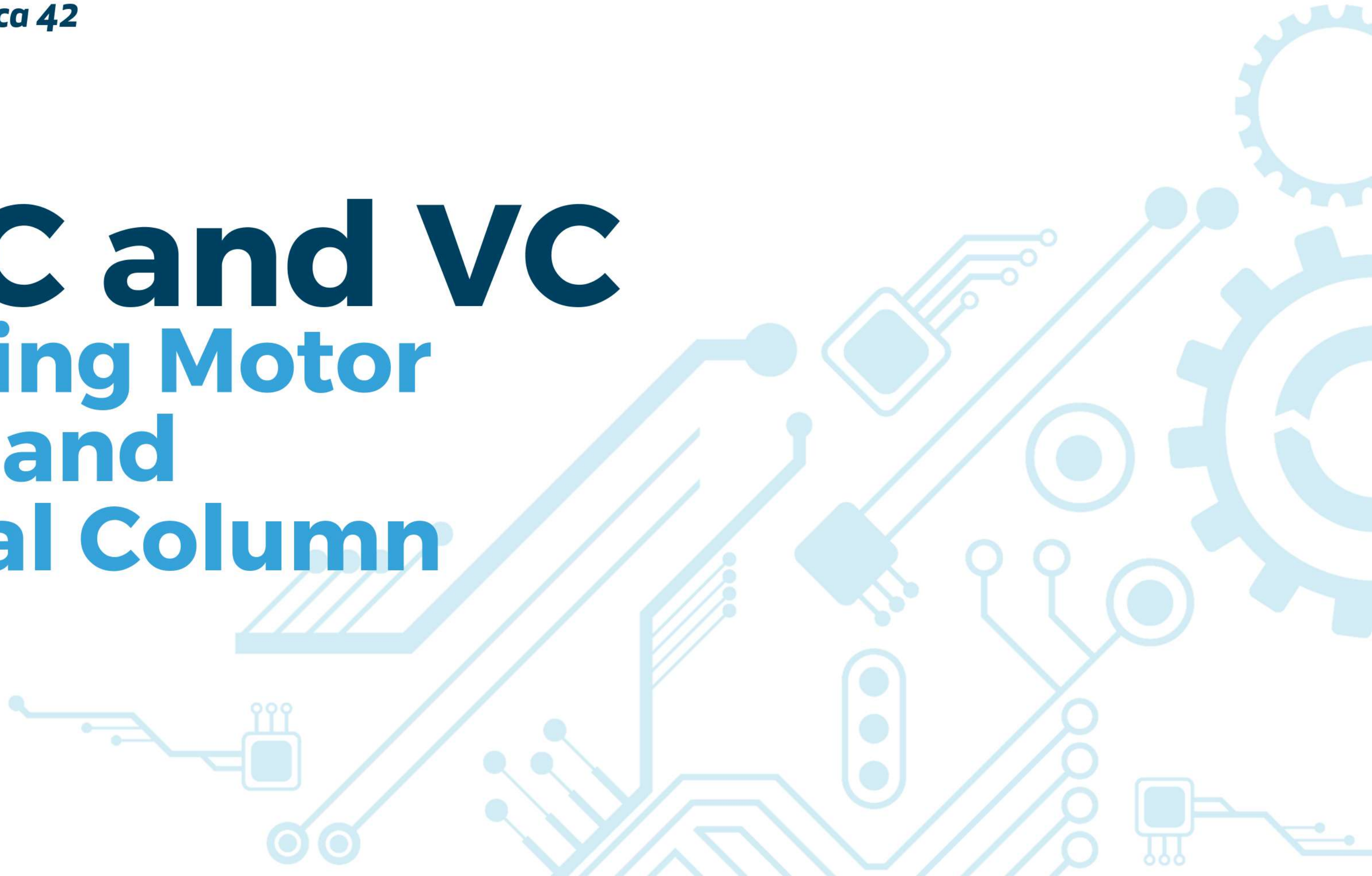




Meccanica 42

SMC and VC

Steering Motor Cube and Virtual Column





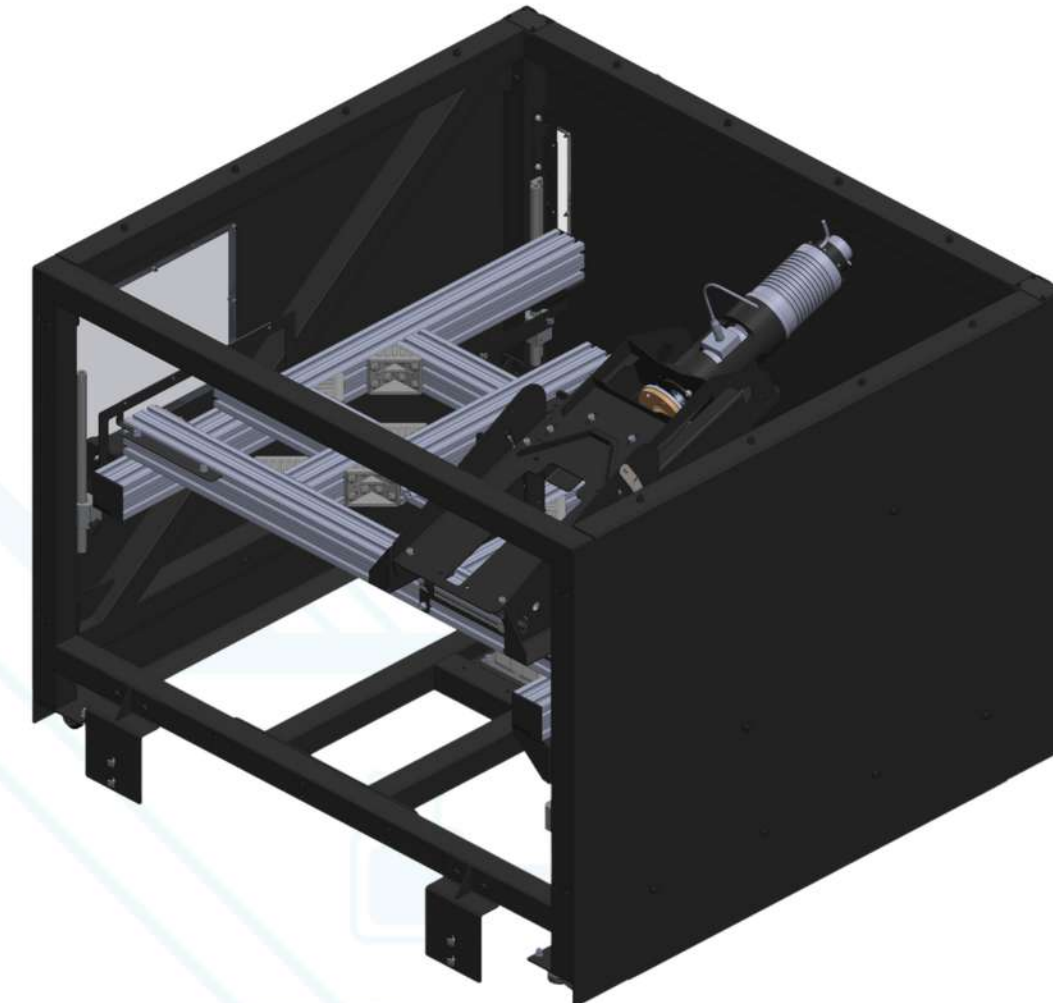
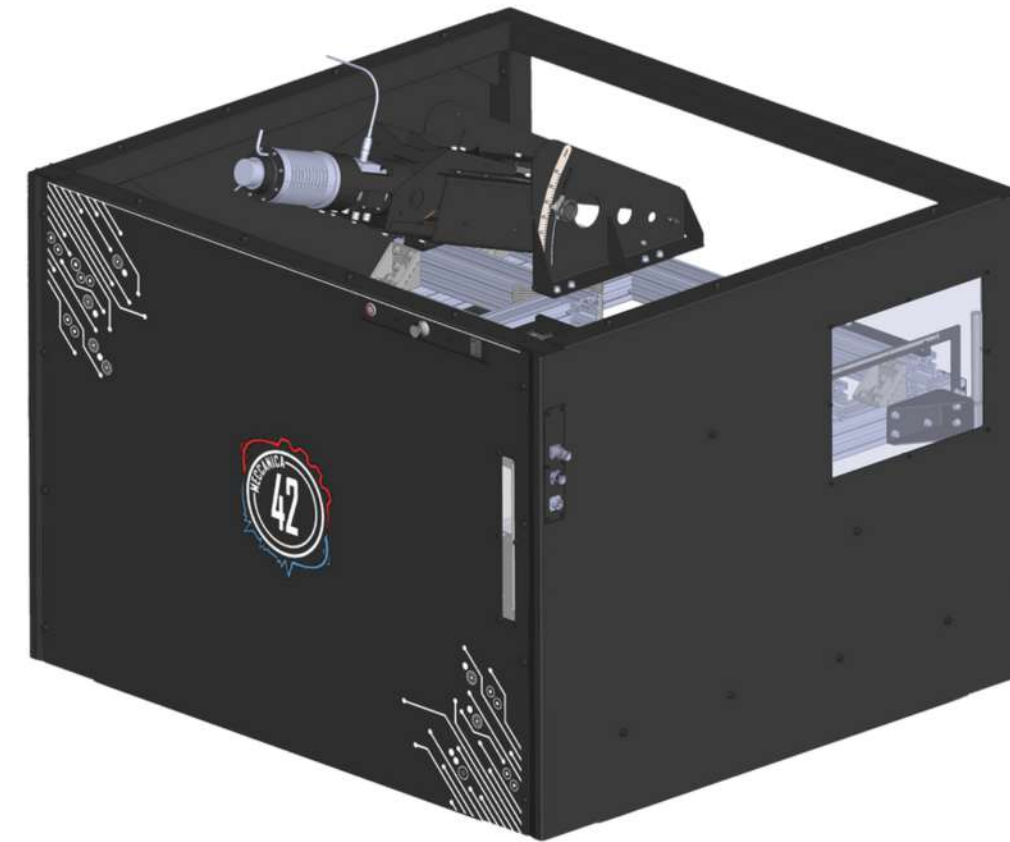
Meccanica 42

Steering Motor Cube - Not only a support for Steering Robot

Steering Motor Cube ensures precise positioning of the steering column in line with the real car, allowing the SR position to be adjusted in three directions and in pitch too.

With SMC, you can both control your EPSiL bench from a remotized cockpit and perform automated testing.

Furthermore, you can use SMC with SR driving the steering wheel actuator in a Steer-by-Wire system test bench, decoupling its application from the only use on EPSiL bench.



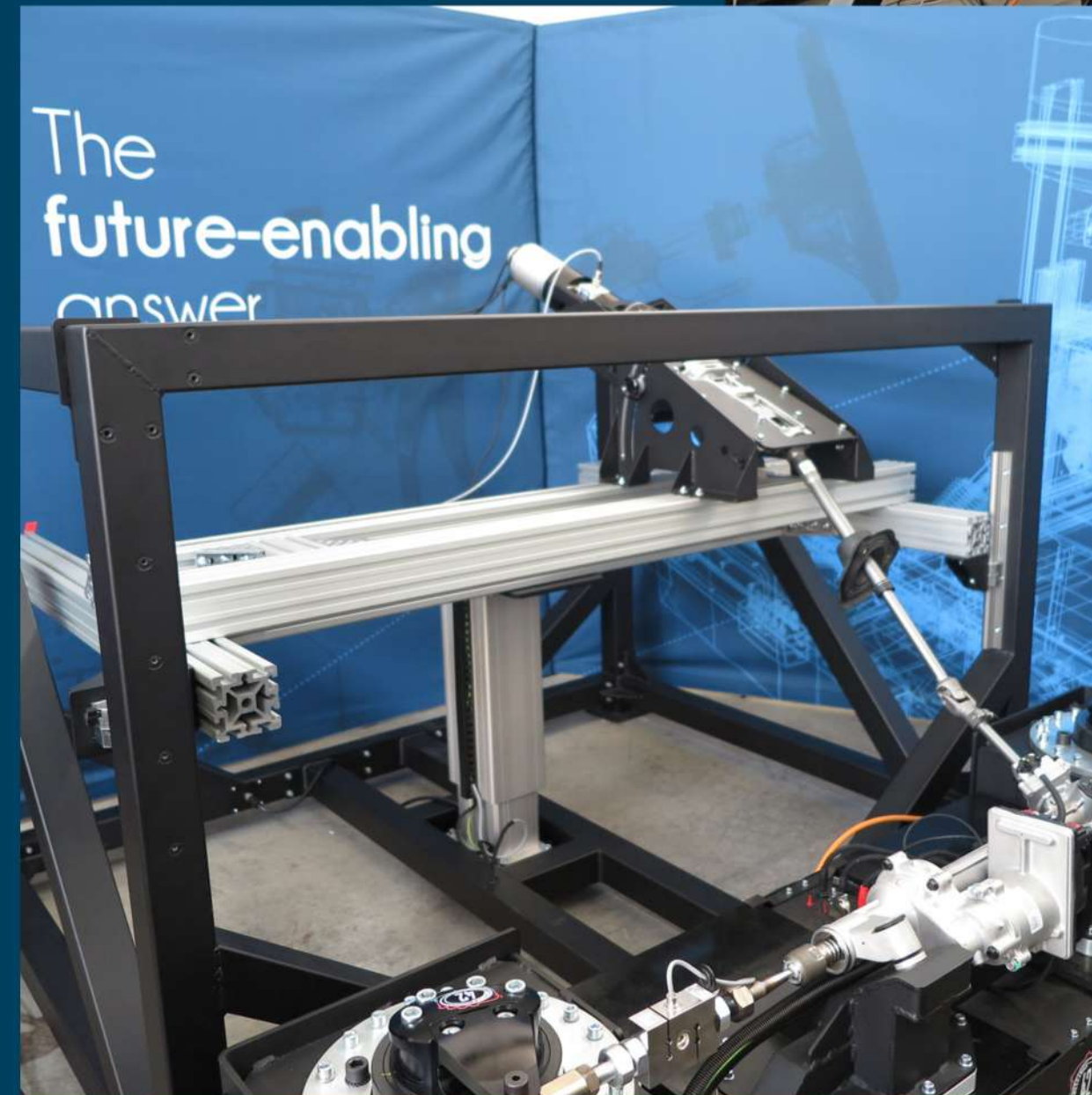


Meccanica 42

Virtual Column - Steering wheel and steering column united, even remotely

Virtual Column provide the possibility to drive your EPSiL bench also from a remoted cockpit with the use of the FS (Feedback System) and SR (Steering Robot) actuators.

The FS actuator provides an incredibly realistic steering feedback based on the actual dynamics of the DuT in EPSiL, that is controlled by SR.





Meccanica 42

The future- enabling answer



(+39) 055 628 3216



info@meccanica42.com



www.meccanica42.com



[@meccanica-42](https://www.linkedin.com/company/meccanica-42)



MECCANICA42